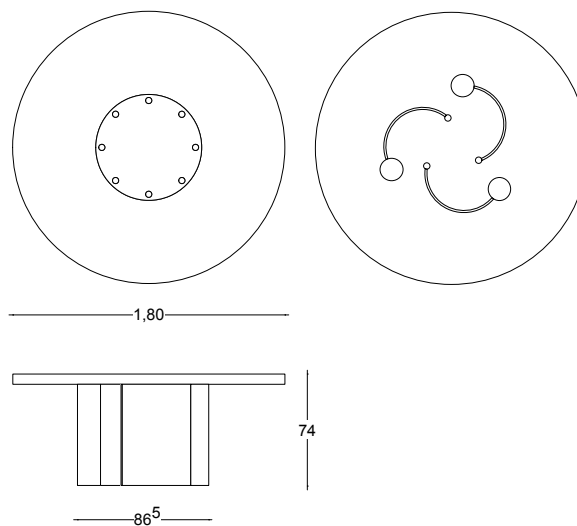


DINING TABLE
CHERRY





DINING TABLE CHERRY

The refreshing red is not the origin of this dining table's name, but rather the playful form of its base! Shaped like cherries with curved stems the three legs gently wrap into each other. This sculptural base supports the eight centimeter thick tabletop with an embedded revolving platter, or Lazy Susan in its center - ideal for an amiable dinner or discussion with up to ten people.

The Cherry Table is hand crafted in Germany. It is constructed entirely of 8-millimeter-thick aluminum plates and lacquered with thick coats of high gloss oxide red which are finally hand polished to achieve its rich, brilliant color.

DIMENSION: L 180 x W 180 x H 74 cm | L 5'9" x W 5'9" x H 2'4"

MATERIAL: Aluminum, lacquered with thick coats of high gloss oxide red

PRICE: 61.000 € excl. VAT | Shipping and packing is not included