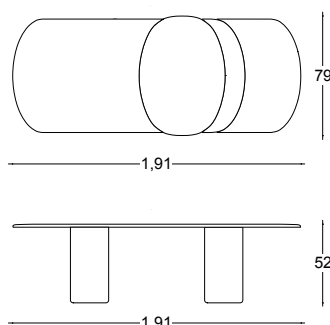
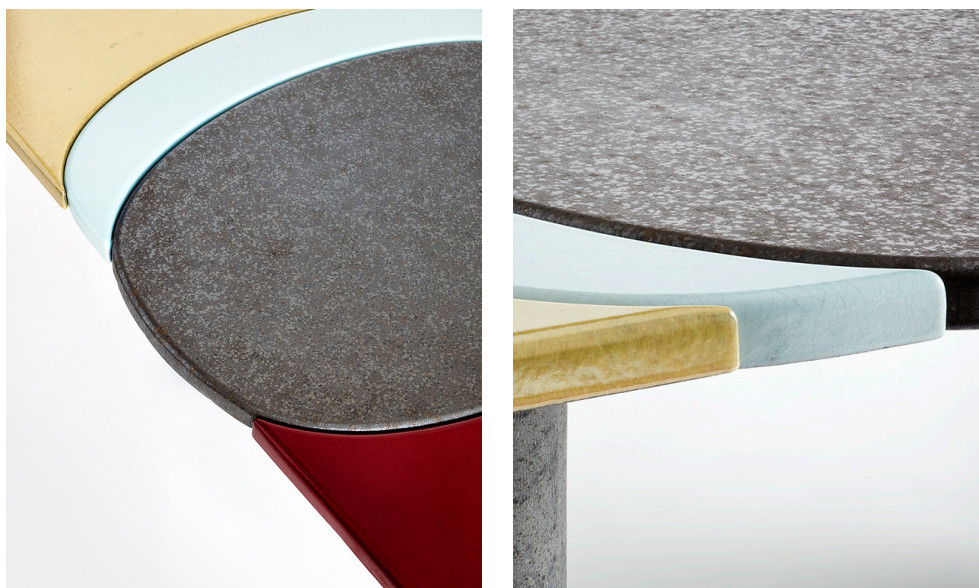


**COFFEE TABLE**  
**ETNA**





## COFFEE TABLE ETNA

The coffee table Etna, by Gisbert Pöppler, has a soft composition of curved forms with rounded edges radiating from a central ellipse, reminiscent of ripples in a pond. The elements that make up the table are hewn out of lava stone from the Sicilian volcano Etna which are joined together by a concealed stainless-steel frame. Using an ancient technique developed in this region called Majolica, the pieces have been glazed in a kiln at 950 degrees that protects them with a robust surface suitable for outdoor use and provides the translucent Colours with a slight craquelé for the finish. Only the center and the base pillars are pure unglazed polished lava stone that show off the subtle sparkles from the volcanic crystals.

**DIMENSION:** L 191 x W 79 x H 52 cm | L 75.2" x W 31.1" x H 20.5"

**MATERIAL:** Polished lava stone, partly glazed

**PRICE:** 31.000 € excl. VAT | Shipping and packing is not included