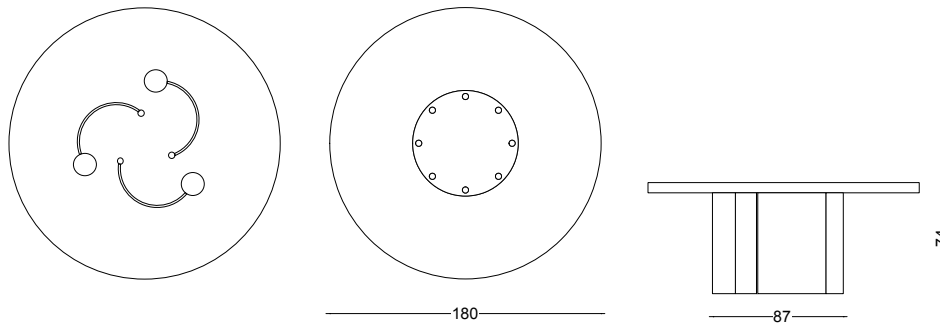
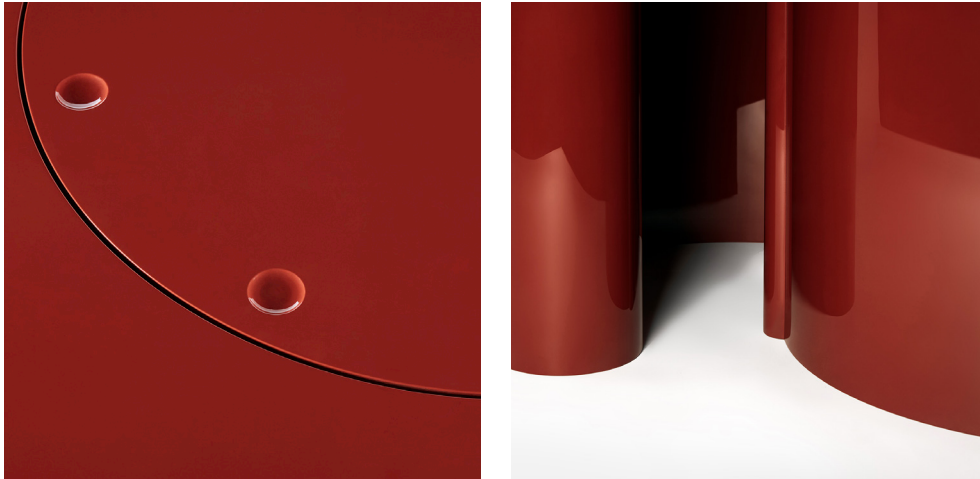


CHERRY OXIDE DINING TABLE





CHERRY OXIDE DINING TABLE

Cherry Table, by Gisbert Pöppler is named the playful form of its base! Shaped like cherries with curved stems the three legs gently wrap into each other. This sculptural base supports the eight centimeter thick tabletop with an embedded revolving platter, or Lazy Susan in its center - ideal for an amiable dinner or discussion with up to ten people.

The Cherry Table is hand crafted in Germany entirely of 8-millimeter-thick aluminum plates which comes in high gloss lacquered or polished natural aluminum.

DIMENSION: cm L 180 x W 180 x H 74 cm | inch L 70.9" x W 70.9" x H 29.1"

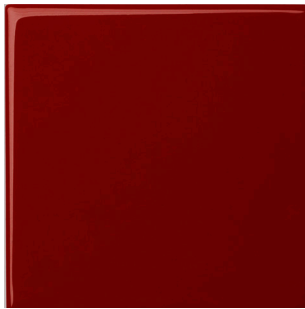
MATERIAL: Aluminum, lacquered with thick coats of high gloss various colors

PRICE: 46.900 € excl. VAT

LEADTIME: 12 weeks

CHERRY OXIDE DINING TABLE

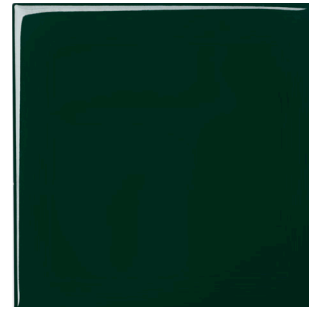
SURFACE



Oxide red, high glossy



Petroleum, high glossy



British racing, high glossy



Tyrian purple, high glossy



Creme white, high glossy



Aluminium, polished

GISBERT PÖPLER OBJECTS 2025

