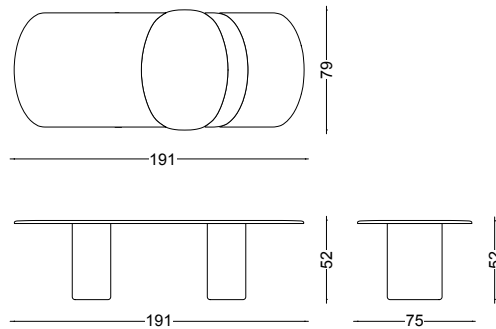
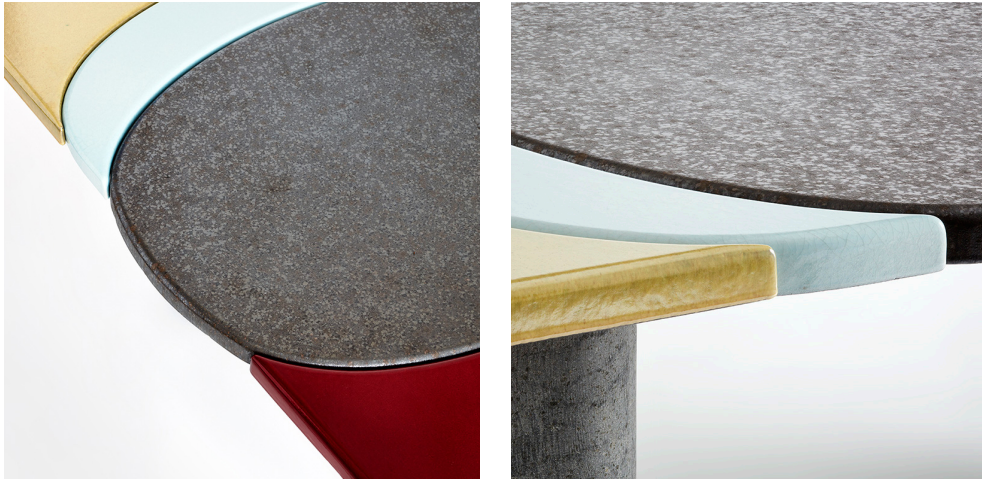


ETNA COFFEE TABLE





ETNA COFFEE TABLE

The coffee table Etna, by Gisbert Pöppler, has a soft composition of curved forms with rounded edges radiating from a central ellipse, reminiscent of ripples in a pond. The elements that make up the table are hewn out of lava stone from the Sicilian volcano Etna which are joined together by a concealed stainless-steel frame. Using an ancient technique developed in this region called Majolica, the pieces have been glazed in a kiln at 950 degrees that protects them with a robust surface suitable for outdoor use and provides the translucent Colours with a slight craquelé for the finish. Only the center and the base pillars are pure unglazed polished lava stone that show off the subtle sparkles from the volcanic crystals.

DIMENSION: cm L 191 x W 79 x H 52 cm | inch L 75.2" x W 31.1" x H 20.5"

MATERIAL: Polished lava stone, partly glazed

PRICE: 31.100 € excl. VAT

LEADTIME: 16 weeks

ETNA 191 COFFEE TABLE

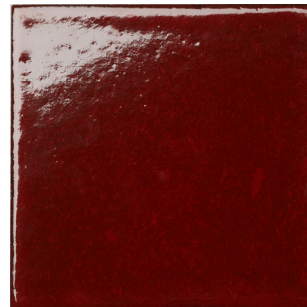
FINISH



Toulouse rose



Rosehip



Stromboli red



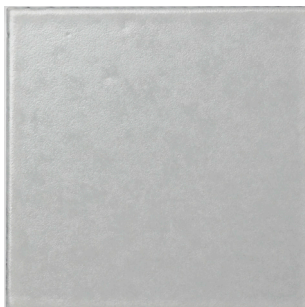
Sand



Pollination powder



River bank



Seafoam



Snow drift



Glacial blue



Verde forresta



Aged iron

GISBERT PÖPLER OBJECTS 2025

